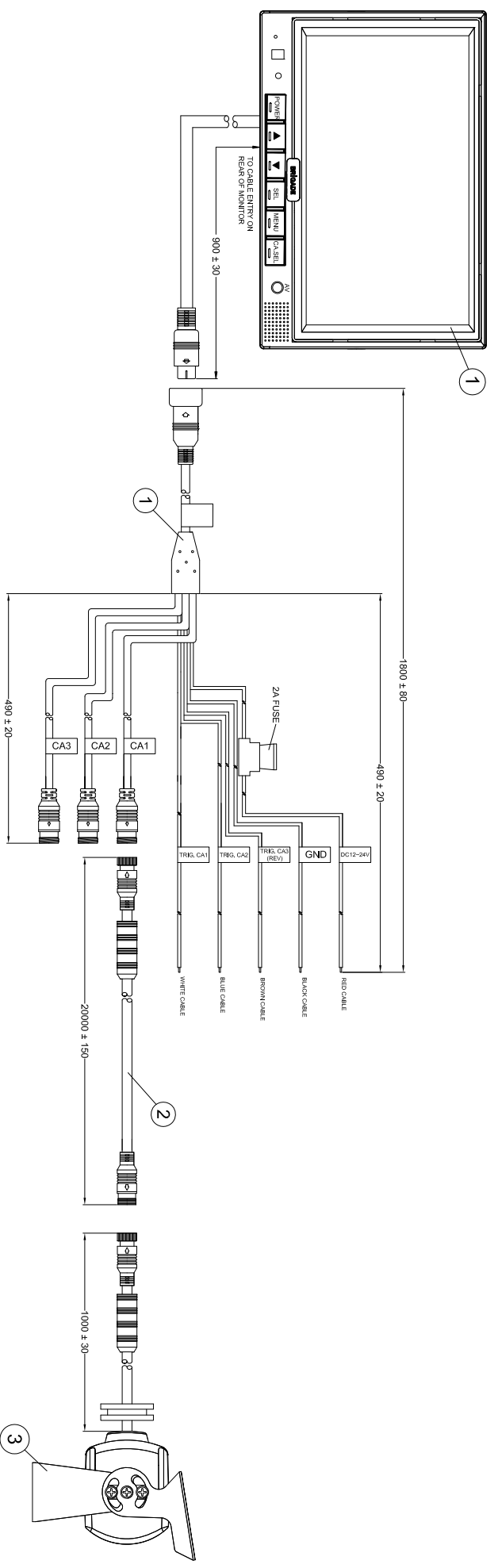


Revision Notes:
 1. DRAWING UPDATED TO REVISE SYSTEM VARIANTS AND PACKAGING.
Checked By: B.C **Approved By:** S.M **Date Released:** 19/11/12

| ITEM | PART NO. | VARIANT | QTY | MODEL / DESCRIPTION |
|------|----------|---------|-----|---------------------------|
| ① | (3355A) | WGB | 1 | VBV-770DM MONITOR KIT |
| ② | (1380) | N/A | 1 | VBV-L420 20M CAMERA CABLE |
| ③ | (2575A) | WGB | 1 | VBV-701C CAMERA KIT |



NOTES:

1. REFER TO COMPONENT DRAWINGS FOR COMPONENT DETAIL.
2. REFER TO COMPONENT PRODUCT SPECIFICATIONS FOR PRODUCT SPECIFICATIONS.
3. FOR SYSTEM BOX SERIAL NUMBER LABELS REFER TO LATEST REVISION OF DRAWING BE-001323-XX-10.
4. FOR SYSTEM GIFTBOX LABEL REFER TO LATEST REVISION OF DRAWING BE-001947-XX-12.
5. PURCHASE ORDER TO DEFINE SYSTEM PACKAGING VARIANT.
6. REFER TO LATEST REVISION OF DRAWING BE-001954-XX-12 FOR PACKAGING DETAIL.

PROPRIETARY NOTICE

THIS DESIGN AND TECHNICAL INFORMATION APPEARING ON THIS DRAWING IS THE PROPERTY OF BRIGADE ELECTRONICS, AND IS DISCLOSED IN CONFIDENCE. IT IS NOT TO BE COPIED, REPRODUCED, REVEALED TO OR EXPLOITED BY OTHERS, EITHER IN WHOLE OR IN PART WITHOUT THE EXPRESS WRITTEN CONSENT OF BRIGADE ELECTRONICS.



| | | | | | | | |
|---|--|------------------------------------|--|-----------------------------|--|--------------------------------|--|
| Assembly Pl Approval XINYU HUANG (16/11/12) | | Approved by DKERAI | | Checked by LBBAR | | Drawn by MBUTLER | |
| Angle of Projection | | Units mm | | Scale N/A | | Released 23/03/12 | |
| Status RELEASED | | Part No. 3397A | | Released 23/03/12 | | Assembly Ref 1103005 | |
| Model / Description VBV-770D-000N | | Part No. BE-001950-01-12 | | Released 23/03/12 | | Assembly Ref 1103005 | |